



EKFA 464

FOUR-TRAY, FULL-SIZE CONVECTION OVEN WITH MANUAL CONTROL



FEATURES

- Maximum cooking capacity in a small space
- Lateral supports for 4 trays at 3 17/64" pitch
- (4) 18" x 26" chrome grids *INCLUDED*
- (8) Half-size (13"x18") tray capacity side-by-side (on grids)
- Two-year parts & labor warranty *INCLUDED*
- Electrical cord and plug *INCLUDED*
- Temperature range 200 to 500° F
- Stainless-steel cooking chamber
- Manual control panel
- Bi-directional fan
- High-performance oven insulation
- High-efficiency motor and fan
- Recessed door gasket
- Top-hinged, dual-paned glass door
- Internal glass designed to facilitate easy cleaning
- Timed or infinite cooking mode
- Internal halogen light
- Extended warranty options available

Conforms to the following standards:

- Standard safety UL 197-2014
- Sanitation NSF / ANSI 4-2014
- Sanitation NSF / ANSI 170-2010
- Sanitation NSF / ANSI 51-2012
- CSAC 22.2 No. 109-M1981



Tecnoeka, Inc.
3385 Denver Drive
Denver, North Carolina 28037

Web Site: www.tecnoeka.com
E-mail: info.usa@tecnoeka.com
Toll Free: 888-626-EKA1 (3521)



Printed in the U.S.A.
April 2019

EKFA 464

DIMENSIONS NET AS SHIPPED

	NET	AS SHIPPED
Width	32.2 in	31 in
Depth	31.9 in	36 in
Height	25.7 in	36 in
Weight	116 lb	153 lb

UTILITY CONNECTIONS

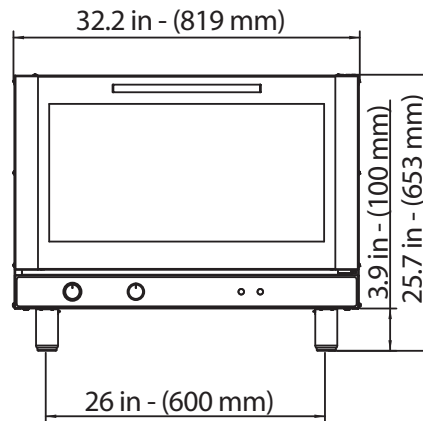
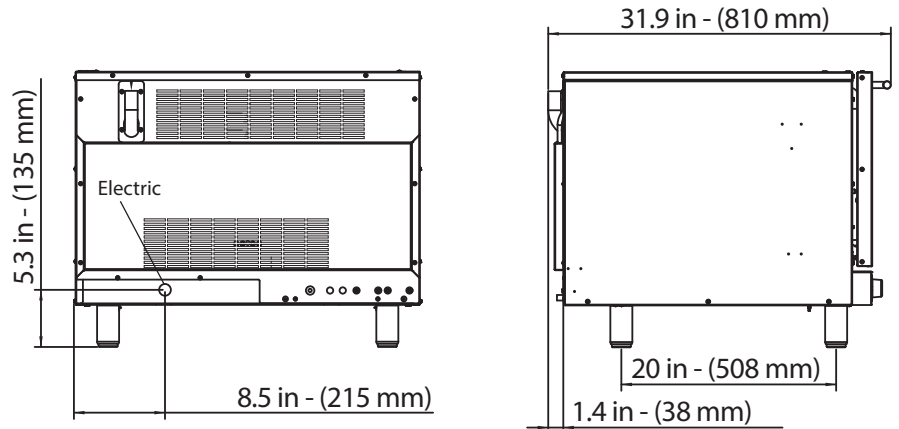
All utility connections should be within three feet of the centerline of the back of the oven when installed.

ELECTRICAL

Power:	4.9-6.2kW	
Frequency:	60 Hz	
Voltage (AC):	208/240v	
Current	3-phase	1-phase
	19.5-22.5A	23.5-26.0A
Cable:	(supplied) 8/4 Type W	8/3 Type W
NEMA Plug:	(supplied) 15-30P	6-30P
Breaker size:	(recommended) 30A	40A

AVAILABLE OPTIONS AND ACCESSORIES

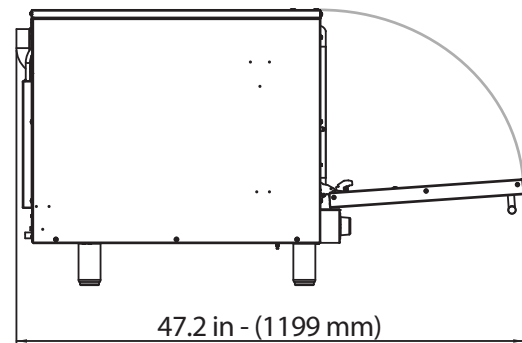
Table - standard height (31.14")	EKTAS 464
Table - w/casters (34.76")	EKTARS 464
18" x 26" stainless-steel grid	EKGAFSX
Spray kit with support and tube	EKKD



* Oven must be installed a minimum of 19.7" (500 mm) from any significant source of heat and/or grease (for example: fryers, burners, kettles, open flames, etc.)

Other surfaces must maintain a minimum of 3.94" (100mm) clearance.

Tecnoeka is not responsible for damage to the oven caused by any external heat source.



Tecnoeka, Inc.
3385 Denver Drive
Denver, North Carolina 28037

Web Site: www.tecnoeka.com
E-mail: info.usa@tecnoeka.com
Toll Free: 888-626-EKA1 (3521)



Printed in the U.S.A.
April 2019