



# EKFA 464 UD

FOUR-TRAY, FULL-SIZE CONVECTION OVEN  
WITH HUMIDITY, MANUAL CONTROL



## FEATURES

- Maximum cooking capacity in a small space
- Lateral supports for 4 trays at 3 17/64" pitch
- (4) 18" x 26" stainless-steel grids *INCLUDED*
- (8) Half-size (13"x18") tray capacity side-by-side (on grids)
- Two-year parts & labor warranty *INCLUDED*
- Electrical cord and plug *INCLUDED*
- Installation kit *INCLUDED*
- Temperature range 200 to 500° F
- Steam injection
- Stainless-steel cooking chamber
- Manual control panel
- Bi-directional fan
- High-performance oven insulation
- High-efficiency motor and fan
- Recessed door gasket
- Top-hinged, dual-paned glass door
- Internal glass designed to facilitate easy cleaning
- Timed or infinite cooking mode
- Internal halogen light
- Extended warranty options available

Conforms to the following standards:

- Standard safety UL 197-2014
- Sanitation NSF / ANSI 4-2014
- Sanitation NSF / ANSI 170-2010
- Sanitation NSF / ANSI 51-2012
- CSAC 22.2 No. 109-M1981



Tecnoeka, Inc.  
3385 Denver Drive  
Denver, North Carolina 28037

Web Site: [www.tecnoeka.com](http://www.tecnoeka.com)  
E-mail: [info.usa@tecnoeka.com](mailto:info.usa@tecnoeka.com)  
Toll Free: 888-626-EKA1 (3521)



Printed in the U.S.A.  
April 2019

# EKFA 464 UD

## DIMENSIONS NET AS SHIPPED

	NET	AS SHIPPED
Width	32.2 in	31 in
Depth	32.0 in	36 in
Height	25.7 in	36 in
Weight	134 lb	172 lb

## UTILITY CONNECTIONS

All utility connections should be within three feet of the centerline of the back of the oven when installed.

Water supply: 1/2" cold-water supply (max 86°F) with supplied 3/4" NPT or 3/4" GH/NHR connection.

Water pressure: Max supply pressure before regulator: 125psi. Pressure at oven water inlet: 15-30 psi (install kit contains one 30psi regulator).

Drain size should be a minimum of 1" diameter and either a cup or floor drain with an 1" air gap.

## ELECTRICAL

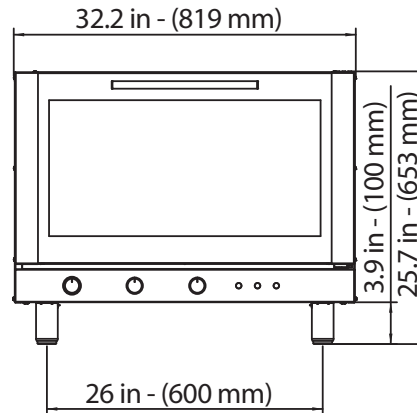
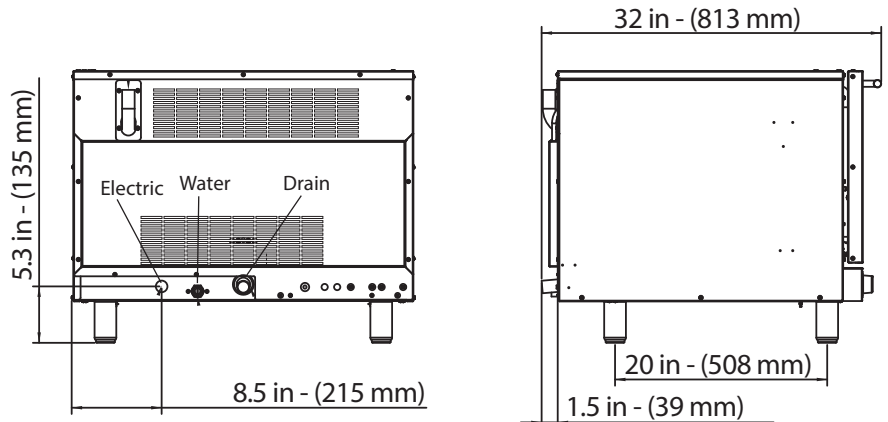
Power:	4.9-6.2kW	
Frequency:	60 Hz	
Voltage (AC):	208/240v	3-phase 1-phase
Current	19.5-22.5A	23.5-26.0A
Cable:	(supplied) 8/4 Type W	8/3 Type W
NEMA Plug:	(supplied) 15-30P	6-30P
Breaker size: (recommended)	30A	40A

## WATER QUALITY SPECIFICATIONS

Free Chlorine:	< 0.1	ppm
Hardness:	30-70	ppm
Chloride:	< 30	ppm
Total Dissolved Solids:	50-125	ppm
Silica:	< 12	ppm
pH:	7.0 - 8.5	
Chloramine:	< 0.1	ppm
Alkalinity:	< 150	ppm (CaCO <sub>3</sub> )

## AVAILABLE OPTIONS AND ACCESSORIES

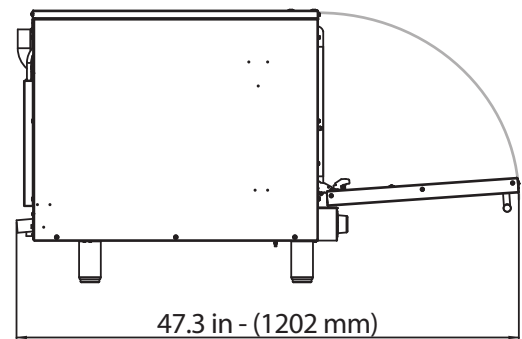
Table - standard height (31.14")	EKTAS 464
Table - w/casters (34.76")	EKTARS 464
18" x 26" stainless-steel grid	EKGAFSX
Spray kit with support and tube	EKKD



\* Oven must be installed a minimum of 19.7" (500 mm) from any significant source of heat and/or grease (for example: fryers, burners, kettles, open flames, etc.)

Other surfaces must maintain a minimum of 3.94" (100mm) clearance.

Tecnoeka is not responsible for damage to the oven caused by any external heat source.



Tecnoeka, Inc.  
3385 Denver Drive  
Denver, North Carolina 28037

Web Site: [www.tecnoeka.com](http://www.tecnoeka.com)  
E-mail: [info.usa@tecnoeka.com](mailto:info.usa@tecnoeka.com)  
Toll Free: 888-626-EKA1 (3521)



Printed in the U.S.A.  
April 2019