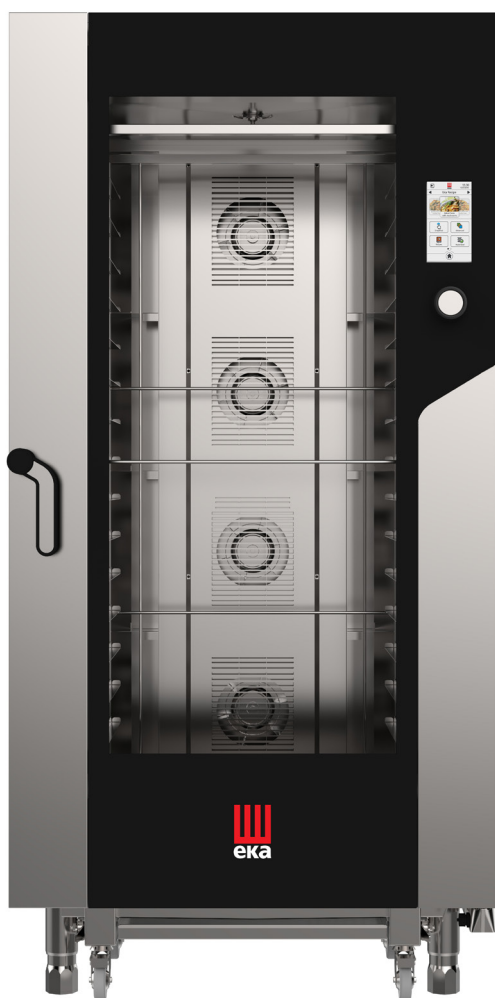




# MKFA 1664 TS

SIXTEEN-TRAY, FULL-SIZE, ROLL-IN COMBI OVEN  
WITH TOUCH SCREEN AND DIAL CONTROLS



## FEATURES

- (16) 18" x 26" tray capacity with 3 5/32" pitch
- (32) Half-size (13"x18") tray capacity side-by-side (on grids)
- Roll-in trolley *INCLUDED*
- Two-year parts & labor warranty *INCLUDED*
- Wi-Fi connectivity *INCLUDED*
- Installation kit *INCLUDED*
- (8) 18" x 26" stainless-steel grids *INCLUDED*
- Integrated automatic wash system *INCLUDED*
- Removable multi-point core probe *INCLUDED*
- Temperature range 86°F to 518°F
- (4) Bi-directional fans
- 500 multi-step program capacity
- Pre-installed/customizable programs
- AISI 304 stainless-steel cooking chamber
- Standard door is left-opening (hinged-right)
- Door rests at 60°, 90°, 120°, 180°
- Adjustable feet
- Extended warranty options available

Conforms to the following standards:

- Standard safety UL 197-2014
- Sanitation NSF / ANSI 4-2014
- Sanitation NSF / ANSI 170-2010
- Sanitation NSF / ANSI 51-2012
- CSAC 22.2 No. 109-M1981



Tecnoeka, Inc.  
3385 Denver Drive  
Denver, North Carolina 28037

Web Site: [www.tecnoeka.com](http://www.tecnoeka.com)  
E-mail: [info.usa@tecnoeka.com](mailto:info.usa@tecnoeka.com)  
Toll Free: 888-626-EKA1 (3521)



Printed in the U.S.A.  
November 2019

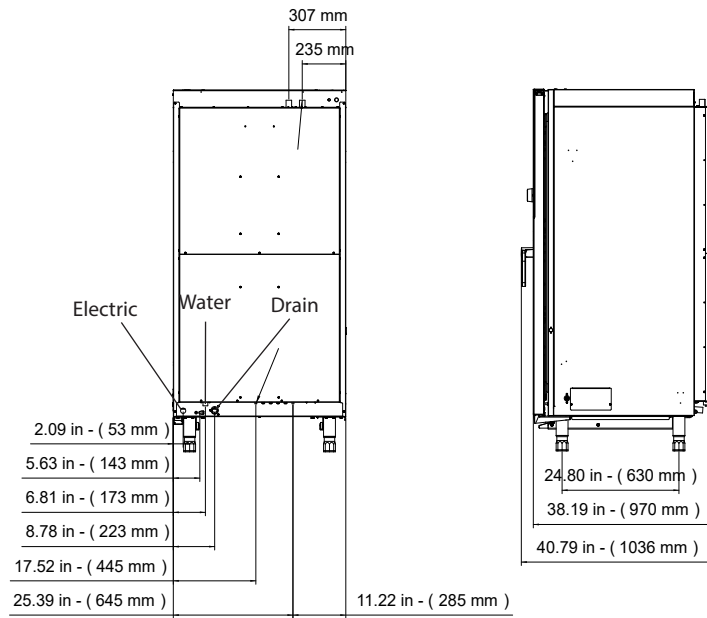
# MKFA 1664 TS

## DIMENSIONS NET AS SHIPPED

	NET	AS SHIPPED
Width	36.610 in	45 in
Depth	40.790 in	50 in
Height	74.800 in	82 in
Weight	574.6 lb	628.0 lb

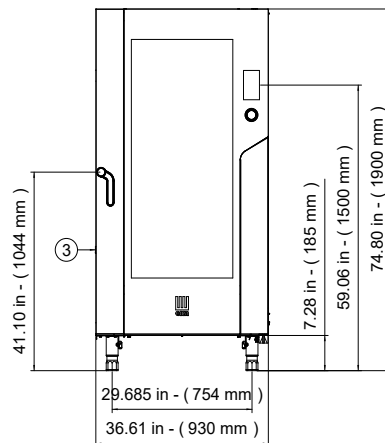
## UTILITY CONNECTIONS

All utility connections should be within three feet of the centerline of the back of the oven when installed.



## ELECTRICAL

Power:	35.1-40.5 kw
Frequency:	60 Hz
Voltage (V):	AC 208/240v 3-phase
L1:	88 amps
L2:	85 amps
L3:	85 amps
Cable:	NOT SUPPLIED
Plug:	NOT SUPPLIED
Breaker size:	110 amp (recommended)



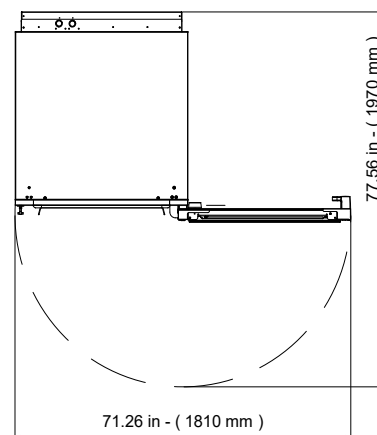
\* Oven must be installed a minimum of 19.7" (500 mm) from any significant source of heat and/or grease (for example: fryers, burners, kettles, open flames, etc.)

Other surfaces must maintain a minimum of 3.94" (100mm) clearance.

Tecnoeka is not responsible for damage to the oven caused by any external heat source.

## AVAILABLE OPTIONS AND ACCESSORIES

Stainless-steel, roll-in/out trolley	MKCRA16 -TS
18" x 26" stainless-steel grid	EKGAFSX
Sous-vide cooking probe	MKSCSV
Detergent with rinse aid	MKDET
Spray kit with support and tube	EKKD



Tecnoeka, Inc.  
3385 Denver Drive  
Denver, North Carolina 28037

Web Site: [www.tecnoeka.com](http://www.tecnoeka.com)  
E-mail: [info.usa@tecnoeka.com](mailto:info.usa@tecnoeka.com)  
Toll Free: 888-626-EKA1 (3521)



Printed in the U.S.A.  
November 2019