



# MKFA 711 TS

SEVEN-TRAY, GN 1/1 COMBI OVEN

WITH TOUCH SCREEN AND DIAL CONTROLS



## FEATURES

(7) GN 1/1 (hotel/12"x20") tray capacity with 2 2½" pitch

(7) Half-size (13"x18") tray capacity (on grids)

Two-year parts & labor warranty *INCLUDED*

Wi-Fi connectivity *INCLUDED*

Electrical cord and plug *INCLUDED*

Installation kit *INCLUDED*

(4) GN 1/1 stainless-steel grids *INCLUDED*

Integrated automatic wash system *INCLUDED*

Removable multi-point core probe *INCLUDED*

Temperature range 86°F to 518°F

(2) Bi-directional fans

500 multi-step program capacity

Pre-installed/customizable programs

AISI 304 stainless-steel cooking chamber

Standard door is left-opening (hinged-right)

Door rests at 60°, 90°, 120°, 180°

Stackable with MKFA 711 TS or MKFA 511 TS

Adjustable feet

Extended warranty options available

Conforms to the following standards:

- Standard safety UL 197-2014
- Sanitation NSF / ANSI 4-2014
- Sanitation NSF / ANSI 170-2010
- Sanitation NSF / ANSI 51-2012
- CSAC 22.2 No. 109-M1981



Tecnoeka, Inc.  
3385 Denver Drive  
Denver, North Carolina 28037

Web Site: [www.tecnoeka.com](http://www.tecnoeka.com)  
E-mail: [info.usa@tecnoeka.com](mailto:info.usa@tecnoeka.com)  
Toll Free: 888-626-EKA1 (3521)



# MKFA 711 TS

## DIMENSIONS NET AS SHIPPED

	NET	AS SHIPPED
Width	28.740 in	31 in
Depth	33.465 in	36 in
Height	35.430 in	41 in
Weight	197.5 lb	249 lb

## UTILITY CONNECTIONS

All utility connections should be within three feet of the centerline of the back of the oven when installed.

Water supply: 1/2" cold-water supply (max 86°F) with supplied 3/4" NPT or 3/4" GH/NHR connection.

Water pressure: Max supply pressure before regulator: 125psi. Pressure at oven water inlet: 15-30 psi (install kit contains one 30psi regulator).

Drain size should be a minimum of 1" diameter and either a cup or floor drain with an 1" air gap.

## ELECTRICAL

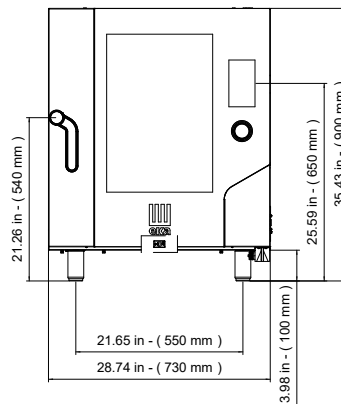
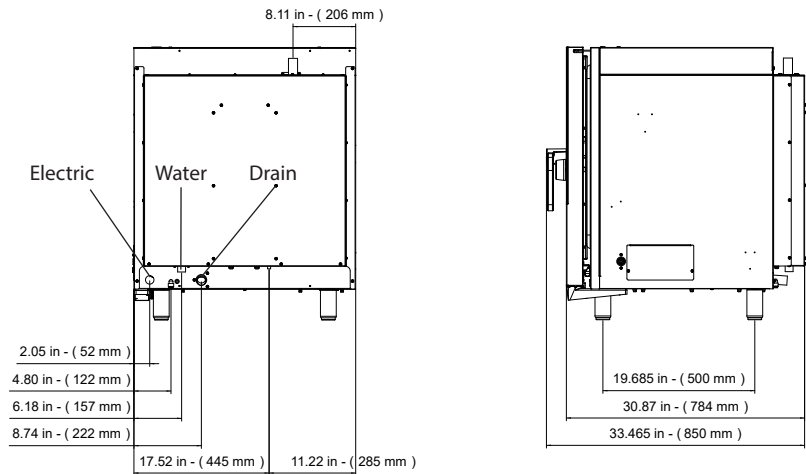
Power:	15.8-18.2kW
Frequency:	60 Hz
Voltage (V):	AC 208/240v 3-phase
L1:	43 amps
L2:	42 amps
L3:	42 amps
Cable:	8/4 Type W (supplied)
NEMA Plug:	15-60P (supplied)
Breaker size:	60A (recommended)

## WATER QUALITY SPECIFICATIONS

Free Chlorine:	< 0.1	ppm
Hardness:	30-70	ppm
Chloride:	< 30	ppm
Total Dissolved Solids:	50-125	ppm
Silica:	< 12	ppm
pH:	7.0 - 8.5	
Chloramine:	< 0.1	ppm
Alkalinity:	< 150	ppm (CaCO <sub>3</sub> )

## AVAILABLE OPTIONS AND ACCESSORIES

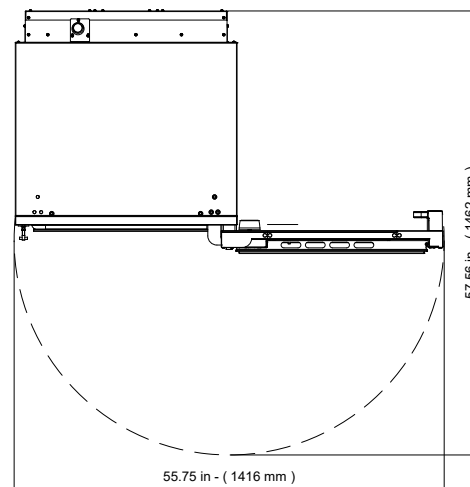
Table - standard height for GN1/1 ovens	MKTS 11
Floor stand for stacked GN1/1 ovens	MKT 11 D
GN1/1 Holding cabinet	MKMA 1211
Mounting/stacking kit (2") for GN1/1 ovens	MKSA 11
Mounting kit (7") for GN1/1 ovens	MKST 711
GN1/1 Mounting kit w/ lateral supports	MKSST 511
Set of four (2 with brake) casters	MKKR
GN1/1 stainless-steel grid	KG9GX
Sous-vide cooking probe	MKSCSV
Detergent with rinse aid	MKDET
Spray kit with support and tube	EKKD



\* Oven must be installed a minimum of 19.7" (500 mm) from any significant source of heat and/or grease (for example: fryers, burners, kettles, open flames, etc.)

Other surfaces must maintain a minimum of 3.94" (100mm) clearance.

Tecnoeka is not responsible for damage to the oven caused by any external heat source.



Tecnoeka, Inc.  
3385 Denver Drive  
Denver, North Carolina 28037

Web Site: [www.tecnoeka.com](http://www.tecnoeka.com)  
E-mail: [info.usa@tecnoeka.com](mailto:info.usa@tecnoeka.com)  
Toll Free: 888-626-EKA1 (3521)



Printed in the U.S.A.  
April 2019